



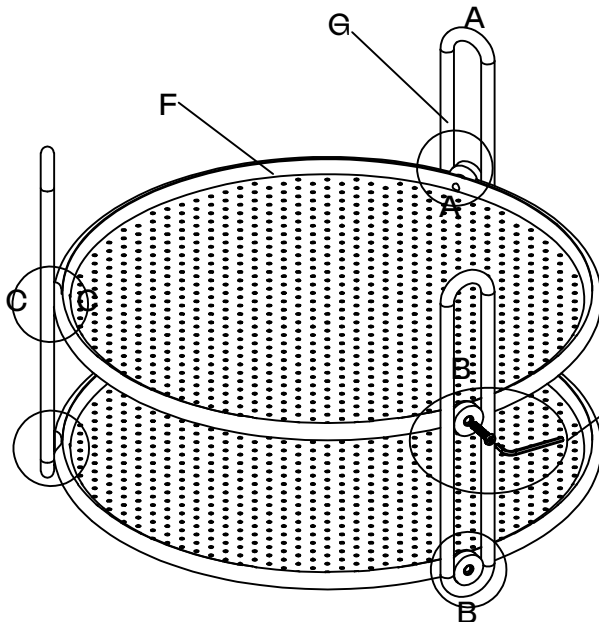


### Assembly instruction

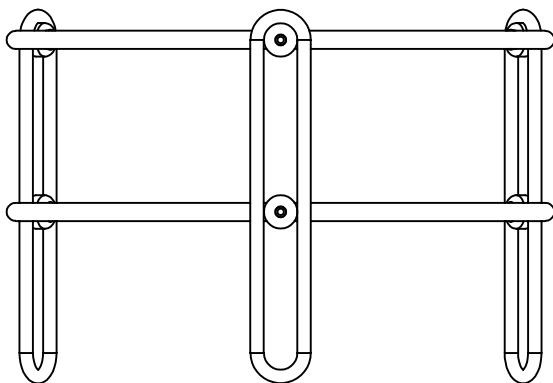
Article number: 4196-05/  
4196-8

D	E	F	G						
									
M6*20	4mm								
6PCS	1PC	2PCS	3PCS						



Please assemble the leg matching A leg to the top with label A underneath the top. The same goes for the other two legs

Don't tighten the screws until you have all screws on.



Always adjust the legs to be straight when you tighten the screws.

