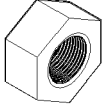
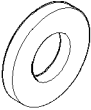

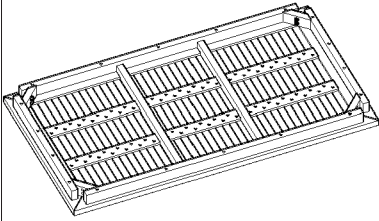

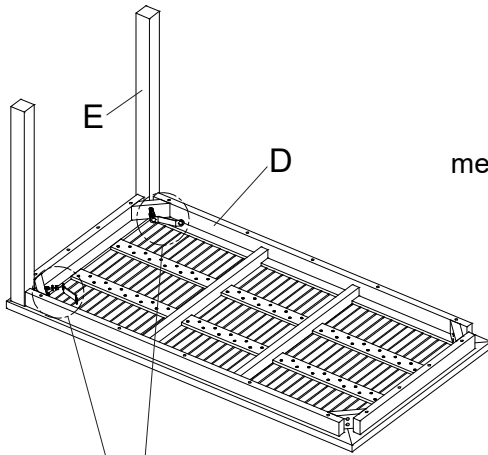
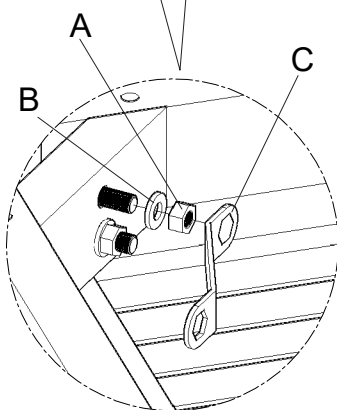
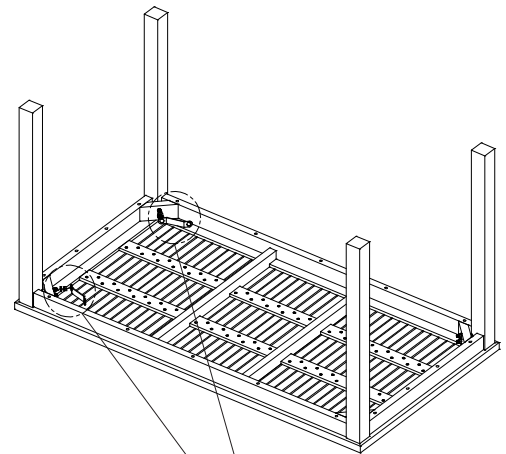


Assembly instruction

A	B	C	D	E
				
Nut 13x6.5xM8	Ring 17x8.5x1.5mm	Spanner		
8PCS	8PCS	1PC	1PC	4PCS



use the same method to assemble the other side



Please always use the nut and ring on table.

Don't tighten the nut and ring until you have all screws on.

