





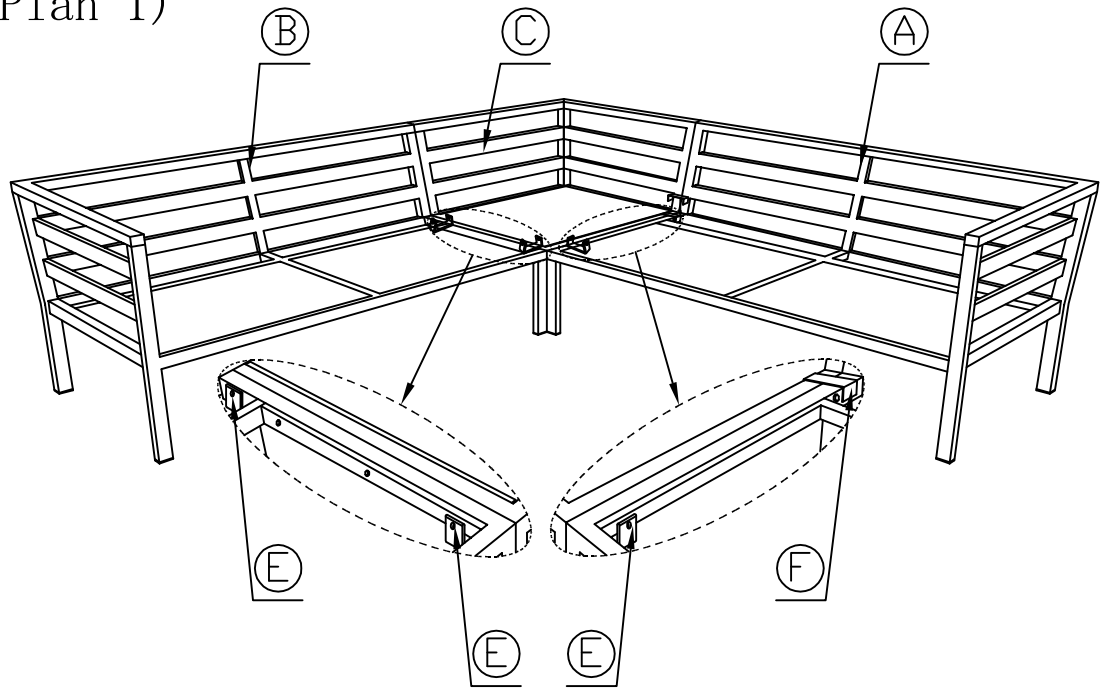
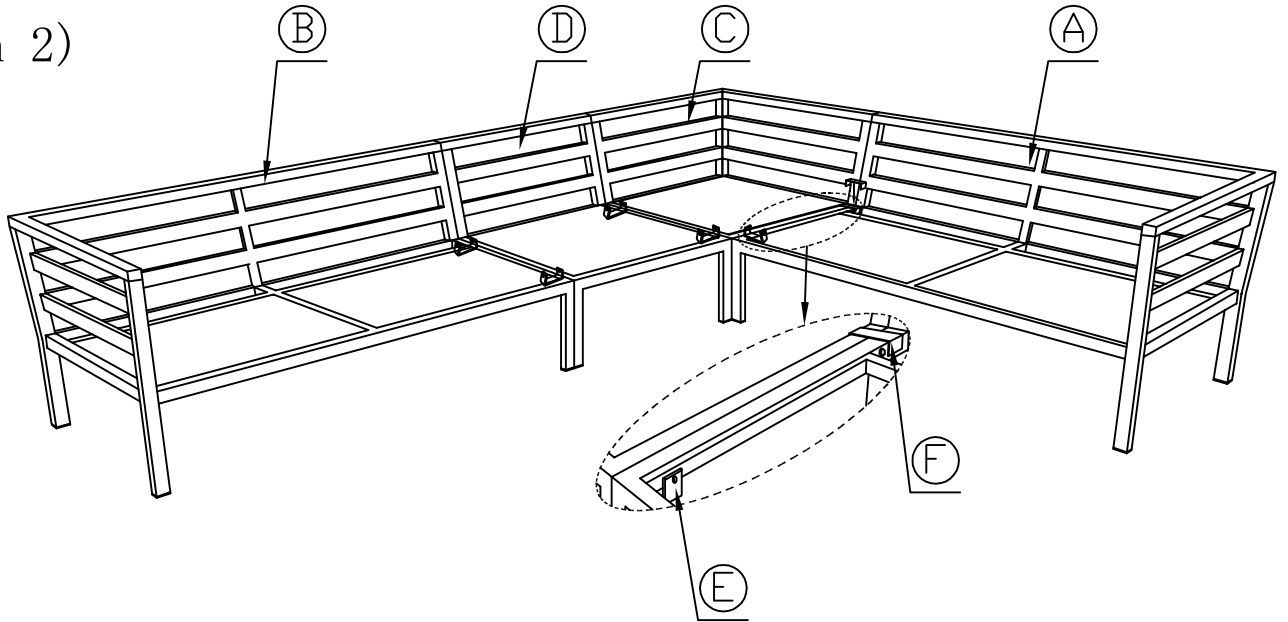


A		1
B		1
C		1
D		1
E	 105*35*47	6
F	 65*25*23	1

(Plan 1)



(Plan 2)



(Plan 3)

