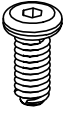


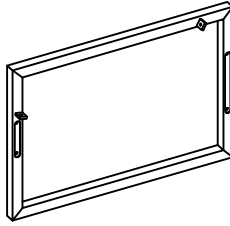
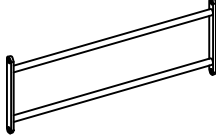
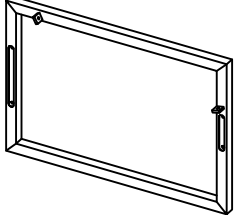
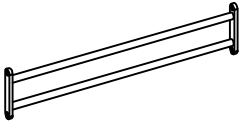
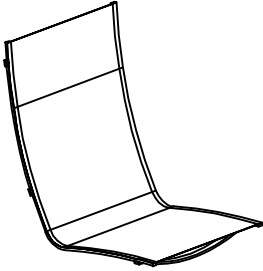
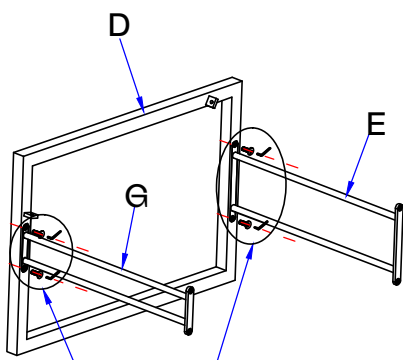


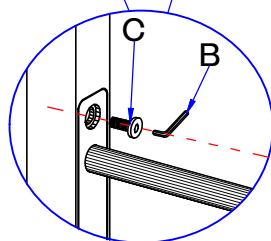
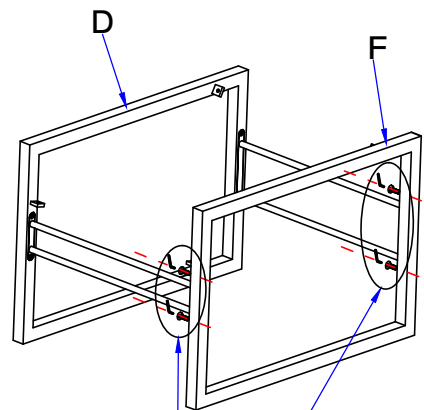
### Assembly instruction

A	B	C	D	E	F
A-bag screws	B-bag screws				
<b>Screw with plastic end</b>  M6*15	 M4	 M6*15	 1PC	 1PC	 1PC
4PCS	1PC	8PCS			

G	H
 1PC	 1PC

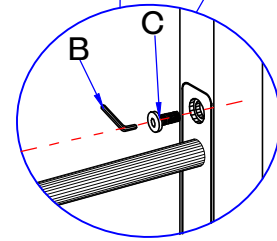


Use the same method to assemble the other side

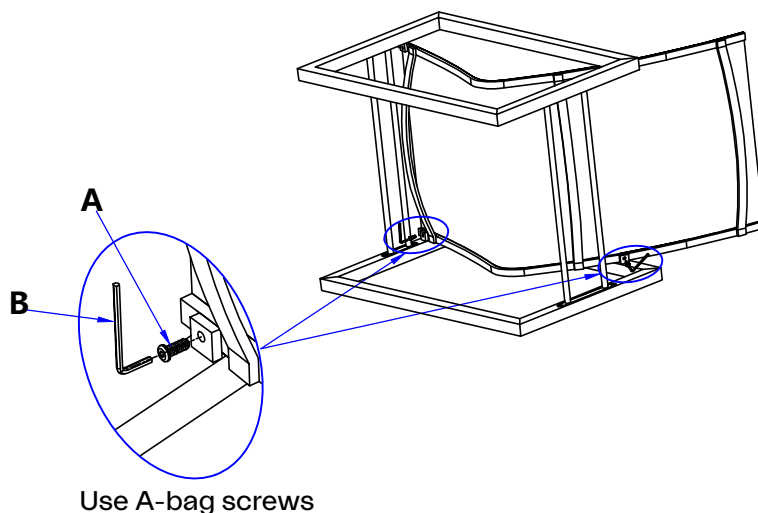


Use B-bag screws

Don't tighten the screws until you have all screws on.



Use B-bag screws



Please always use the screw "A" on seat.

Use the same method to assemble the other side

