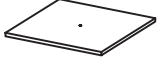









<b>A</b>		base	1	
<b>B</b>		sleeve	1	
<b>C</b>		adjusted screw	2	
<b>D</b>		bolt	1	
<b>E</b>		spring washer	1	
<b>F</b>			1	
<b>G</b>			1	
<b>H</b>		tool	1	

