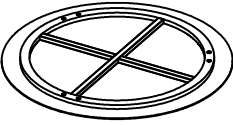

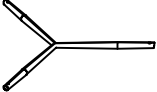





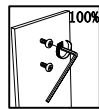
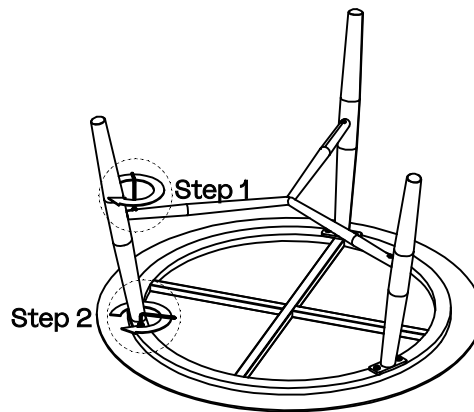
Assembly instruction

A		1
B		3
C		1
D	 M6*10	3
E	 M6*15	6
F		1

①

②

③



④

